



川源(中国)机械有限公司
GSD (China) Co., Ltd.



CG/CK

自吸式离心泵

CG/CK Self-priming pump



CG/CK 自吸式离心泵

CG/CK Self-priming pump

用途

- 清水循环输送
- 污水排放、净化池排水以及废水处理

Application

- Water recirculation
- Drainage for sewer and purifying tanks and waste water treatment.



特点

- 高效率, 低操作成本, 不泄漏, 易于维护。
- 耐腐蚀性优良, 所有金属零件不会接触到所抽送液体。
- 最大可靠度的独立止推轴承。
- 流体比重可达1.8。
- CG/CK系列于空转时, 泵浦内的液体会经由循环回路冷却轴封, 防止其过热损坏。

Features

- High efficiency, low operation cost, leak-free operation and easy maintenance.
- Excellent chemical resistance.
- Independent thrust bearings for maximum reliability.
- Fluid specific gravity up to 1.8.
- For CG/CK series, cycling liquid cools the seal and prevents it from overheating while dry-running.

结构特性

- 采用不锈钢304加工制造的马达延长轴心连接到标准马达上, 轴心配有铁氟龙轴套, 使该轴心组合与所抽送的溶液之间不会有接触。
- 机械轴封永远浸在溶液中, 并以泵中抽送的溶液来做冷却, 即使泵停机, 轴封周遭也不会形成结晶。
- CG/CK型独家设计的轴封护罩, 方便拆卸及更换。固定环座可采用耐高温PPS塑钢, 空转时可承受130°C的高温, 其泵体内残存的液体会经由铁氟龙循环管来冷却轴封。
- 特殊的铁氟龙弹性轴封设计, 搭配各种材质的轴封如陶瓷、碳精、SiC及Hastelloy-C合金弹簧以确保优异的耐久及耐腐蚀性。固定环及转动环由SiC、碳素、陶瓷等各种不同的材质制成。
- CG/CK型自吸式泵, 自吸能力可达20英尺以上(出入口3“之机型无自吸能力)。

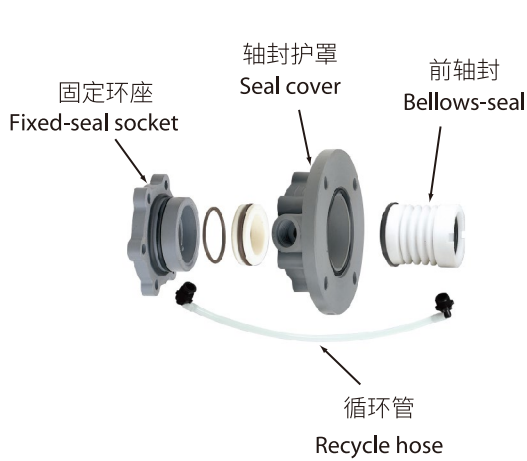
Construction specifications

- The motor shaft extension is coupled to a standard motor and made of SUS304. A Teflon sleeve installing over the shaft does avoid the pumped solution contacting between shaft and motor.
- The mechanical seal is always submerged in solution, and it is cooled by the solution in the pump. So crystals can not be formed around the seal when the pump is turned off.
- CG/CK series is with the unique seal assembly, and is easy to disassemble and replace. The fixed seal socket can be made of high temperature-resistant plastic PPS and is capable of operating up to 130°C while dry running. The remained liquid inside the pump head runs through the Teflon hose and cools the seal while dry running.
- The unique Teflon bellows design with various seals such as Ceramic, Carbon, SiC and Hastelloy-C spring ensure excellent durability in corrosion resistance. Fixed-seal & rotation seal are made of various materials, SiC, Carbon, Ceramic.
- CG/CK series, designed with self-priming cover excellent self-priming performance up to 20 ft (3" in/outlet models cannot do self-priming well).



■ 泵出入口依型号及规格不同而有标准的1-1/2“、2“或3“等法兰接头。

■ The pump connections are standard 1-1/2", 2" or 3" flange connections depending on model and size.

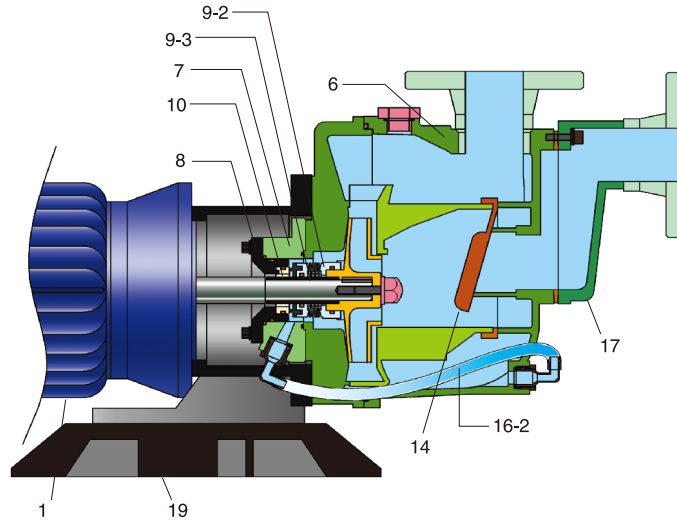


型号说明 Type description

<p>CG - 32 - 40H V P-CCH-H</p>	<p>H: 有舌单向阀 (With check lid) N: 无舌单向阀 (Without check lid)</p> <p>内装式轴封 (Build in seal) CCH (SCH、CSH、SSH)</p> <p>┌ 弹簧 (Spring) H: Hasteloy-c ├ 转动环 (Rotatinal seal) C: Carbon S: SIC └ 固定环 (Fixed seal) C: Ceramic S: SIC</p> <p>泵体材质 (Material) F-FRPP P-PVC</p> <p>橡胶材质 (Elastomer) N-NBR E-EPDM V-VITON T-TEFLON</p> <p>H: 高扬程 (High head) L: 低扬程 (Low head)</p> <p>进出口径 (In/Outlet diameter) mm</p> <p>马力 (Power) hp</p> <p>相数 (Phase): 1(单相) 3(三相)</p> <p>CG: 直联式 (Coaxial volute pump); CK: 联轴式 (Coupling pump)</p>
--------------------------------	--

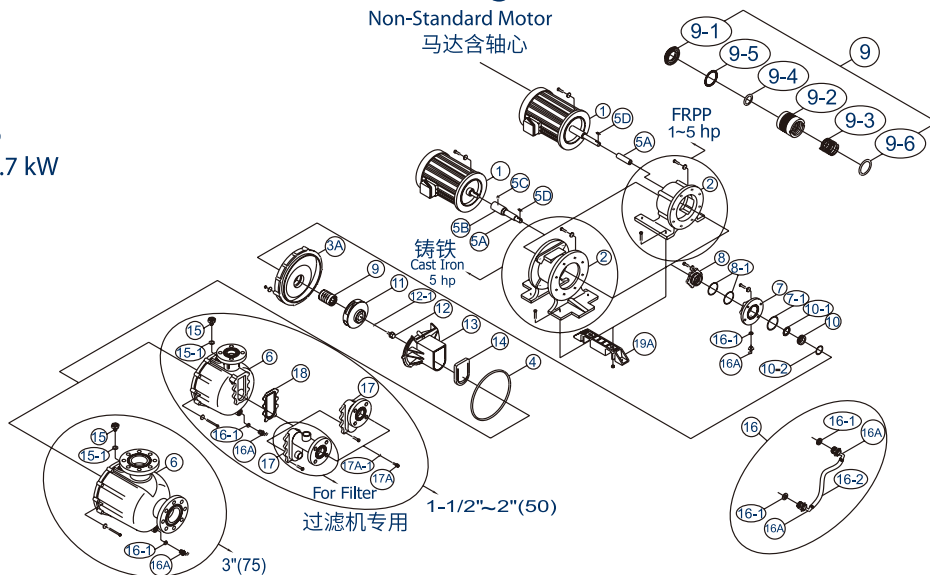


结构简图 Construction

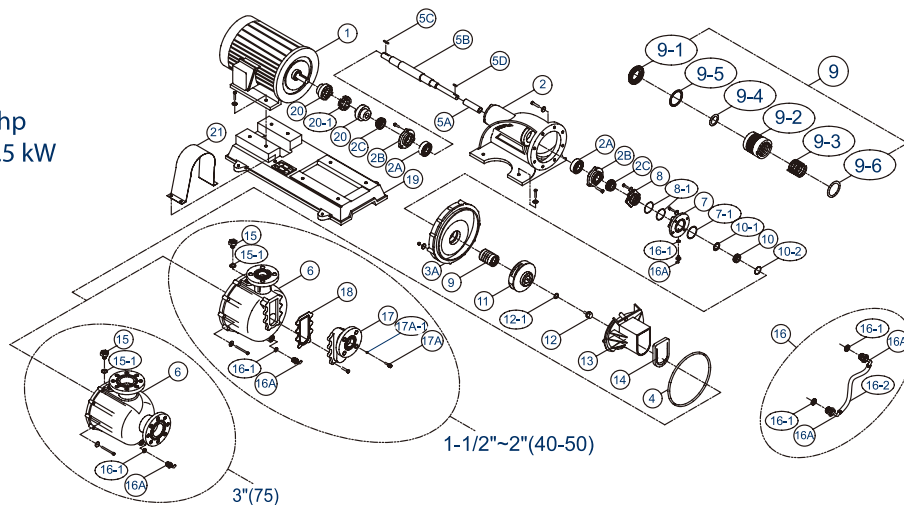


组合示意图 Assembled schematic diagram

CG
1~5 hp
0.75~3.7 kW



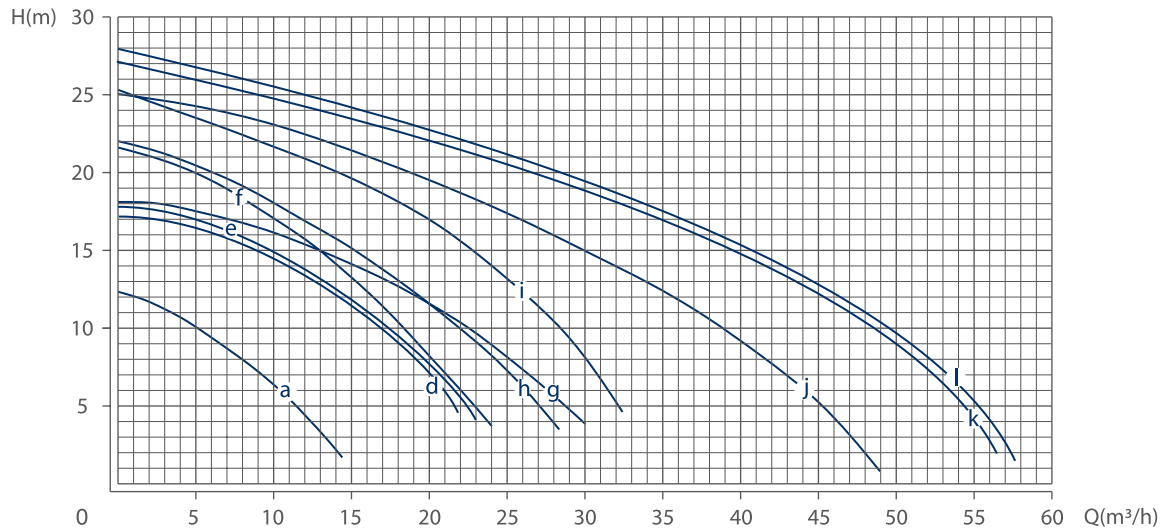
CK
2~10 hp
1.5~7.5 kW



NO.	名称	Name	材质 Material
1	马达	Motor	FC
2	脚座	Frame	FC/FRPP
2A	脚座轴承	Frame bearing	STEEL
2B	轴承防尘盖	Bearing dust shield	FC
2C	轴承防水套	Bearing liquid shield	PP
3A	后封盖	Rear cover	FRPP/PVC
4	后盖O环	Rear cover O-ring	NBR/EPDM/MTON
5A	轴套	Shaft sleeve	TEFLON
5B	轴心	Shaft	SUS
5C	轴心固定螺丝	Shaft screw	SUS
5D	叶轮键	Impeller key	SUS
6	主体前盖	Front cover	FRPP/PVC
7	轴封护罩	Seal cover	FRPP/PVC
7-1	轴封护罩O环	Seal cover O-ring	NBR/EPDM/MTON
8	固定环座	Fixed-seal socket	FRPP/PVC
8-1	固定环座O环	Fixed-seal socket O-ring	NBR/EPDM/MTON
9	前轴封	Bellows-seal combination	-
9-1	转动环	Rotational-seal	CARBON/SIC
9-2	伸缩环	Bellows	TEFLON
9-3	弹簧	Bellows spring	HASTELLOY-C/SUS316
9-4	伸缩环前O环	Bellows front O-ring	NBR/EPDM/MTON
9-5	伸缩环垫片	Bellows packing	NBR/EPDM/MTON
9-6	伸缩环后O环	Bellows rear O-ring	NBR/EPDM/MTON
10	固定环	Fixed-seal	CERAMIC/SIC

NO.	名称	Name	材质 Material
10-1	固定环后O环	Fixed-seal rear O-ring	NBR/EPDM/MTON
10-2	固定环O环	Fixed-seal O-ring	NBR/EPDM/MTON
11	叶轮	Impeller	FRPP/PVC
12	叶轮螺丝	Impeller screw	FRPP/PVC
12-1	叶轮螺丝O环	Impeller screw O-ring	NBR/EPDM/MTON
13	中封盖	Check cover	FRPP/PVC
14	单向阀	Check valve	NBR/EPDM/MTON/TEFLON
15	注水盖	Water filling cap	FRPP/PVC
15-1	注水盖O环	Water filling cap O-ring	NBR/MTON/EPDM
16	循环管含接头	Recycle hose	TEFLON
16-1	循环接头垫片	Recycle joint packing	NBR/EPDM/MTON
16-2	铁氟龙管	Teflon hose	TEFLON
16A	循环接头	Recycle joint	FRPP/PVC
16B	塞头	Plug	FRPP
17	自吸筒	Self-priming cover	FRPP/PVC
17A	自吸筒螺丝	Self-priming cover screw	SUS/PVC
17-1	自吸筒螺丝O环	Cover screw O-ring	NBR/EPDM/MTON
18	自吸筒垫片	Self-priming cover packing	NBR/EPDM/MTON/TEFLON
19	CK底座	Base for CK	FC
19A	CG/CK脚架	Base for CG/CK	FRPP
20	联轴器	Coupling	FC
20-1	联轴器橡胶	Coupling elastomer	NBR
21	联轴器护罩	Coupling shield	SUS

性能曲线 Performance curves



性能参数 Performance parameters

Testing fluid:water(specific gravity 1.0)

泵型号 Pump type	进出口 In/outlet (mm)	相数 Phase	功率 Power (kW)	极数 Pole	曲线 Curve	扬程 Head (m)	流量 Capacity (m ³ /h)	泵重量 Weight kg
CG-31-40H	40 x 40	3	0.75	2	a	8.0	8.0	31
CG/CK-32-40L	40 x 40	3	1.5	2	d	11.5	11.0	39/75
CG/CK-32-40H	40 x 40	3	1.5	2	e	10.3	11.8	39/75
CG/CK-33-40H	40 x 40	3	2.2	2	f	13.8	14.5	43/80
CG/CK-33-50L	50 x 50	3	2.2	2	g	11.5	20.0	43/80
CG/CK-33-50H	50 x 50	3	2.2	2	h	14.0	16.5	43/80
CG/CK-35-50H	50 x 50	3	3.7	2	i	16.0	21.5	55(70#)/83
CG/CK-35-75H	75 x 75	3	3.7	2	j	18.0	23.0	56(71#)
CK-37-75H	75 x 75	3	5.5	2	k	19.5	28.0	120
CK-310-75H	75 x 75	3	7.5	2	l	20.3	26.5	125

重量值均是以FRPP材质为准，注明#者为CG机种3.7 kW搭配铸铁脚座之重量。

The pump weight is based on FRPP material. The weight are marked with "#" are the weight of CG series 3.7 kW with cast iron frame out.

※CG 3.7 kW机型脚座有FRPP及铸铁两种。

※Frame out of FRPP or cast iron are available for CG 3.7 kW model.

脚座使用说明 Notes of frame

塑钢脚座
FRPP Frame



铸铁脚座
5 hp马达标准专用
Cast Iron Frame
for 5 hp motor only



本公司内部规格：CG机种，5 hp机型均采用3 hp机型之塑钢脚座，搭配非国际标准马达，其框号为AVEF-100L。

特殊选择：搭配国际标准马达，框号为AVEF-112M，是采用铸铁脚座，其型号标示方式如下：在型号后面加上代码F。

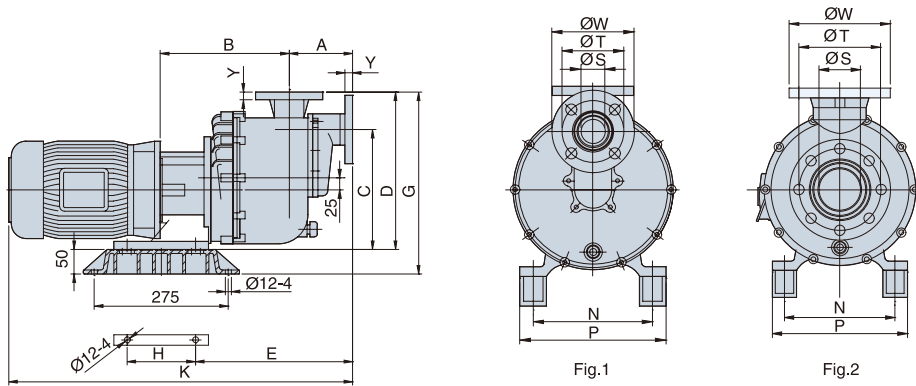
范例：CG-35-75HVC-CCH-N-F

For our 5 hp model, the motor casing is same as the one for 3 hp motor (No.AVEF-100L) to conform to our FRPP frame. Hence the standard 5 hp motor can not match this frame.

Option: for our 5 hp model with standard motor, the casing No. of motor which conform to our cast iron frame is AVEF-112M, and name the model as following: add a code "F" behind the mode name.

For example: CG-35-75HVC-CCH-N-F

外形及安装尺寸 Installation dimensions



配FRPP脚座 Dimension table (with FRPP frame)

单位(Unit): (mm)

型号 Type	FIG.	A	B	C	D	E	G	H	K	N	P	S	T	W	Y
CG-31-40H	1	128	265	250	325	313	375	140	623	205	250	40	105	140	14
CG-32-40H(L)	1	128	265	250	325	313	375	140	701	205	250	40	105	140	14
CG-33-40H	1	128	265	250	325	313	375	140	701	205	250	40	105	140	14
CG-33-50H(L)	1	128	265	250	325	313	375	140	701	205	250	50	120	155	16
CG-35-50H	1	128	265	250	325	313	375	140	740	205	250	50	120	155	16
CG-35-75H	2	123	315	150	336	360	386	140	800	205	250	75	150	185	18

配铸铁脚座 Dimension table (with Cast Iron frame)

单位(Unit): (mm)

型号 Type	FIG.	A	B	C	D	E	G	H	K	N	P	S	T	W	Y
CG-35-50H	1	128	290	295	362	263	390	160	813	190	250	50	120	155	16
CG-35-75H	2	123	330	186	370	308	420	160	870	190	250	75	150	185	18

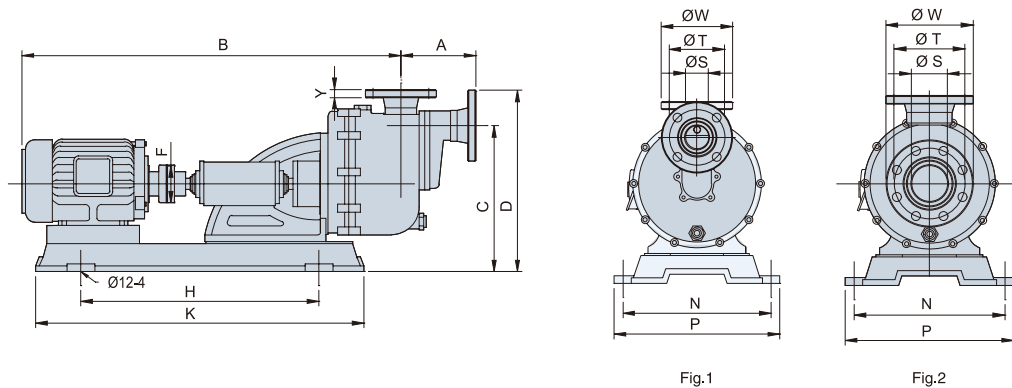


Fig.1

Fig.2

单位(Unit): (mm)

型号 Type	FIG.	A	B	C	D	F	H	K	N	P	S	T	W	Y
CK-32-40L	1	128	830	312	390	82	525	710	320	362	40	105	140	14
CK-32-40H	1	128	830	312	390	82	525	710	320	362	40	105	140	14
CK-33-40H	1	128	830	312	390	82	525	710	320	362	40	105	140	14
CK-33-50L	1	128	830	312	390	82	525	710	320	362	50	120	155	16
CK-33-50H	1	128	830	312	390	82	525	710	320	362	50	120	155	16
CK-35-50H	1	128	885	312	390	82	525	710	320	362	50	120	155	16
CK-35-75H	2	123	935	224	410	82	525	710	320	362	75	150	185	18
CK-37-75H	2	123	1015	224	410	97	590	780	320	362	75	150	185	18
CK-310-75H	2	123	1015	224	410	97	590	780	320	362	75	150	185	18



欢迎索取以下产品型录

To find out more about following products, please visit www.gsd.net.cn

	泵系列 Pump Series	潜水泵系列 陆上泵系列 特种泵系列 Submersible pump series On land pump series Special pump series
	搅拌推流系列 Mixing and flow propeller	搅拌机系列 推流器系列 Mixing series Flow propeller series
	供氧曝气系列 Aeration equipment series	曝气机系列 曝气盘系列 曝气管系列 Aerator series Disc diffusers Tube diffusers
	风机系列 Blower Series	磁悬浮鼓风机 空气悬浮高速离心鼓风机 三叶罗茨鼓风机系列 Maglev turbo blower High-Speed centrifugal blower Three-lobe Roots Blower blower series
	污泥处理设备 Sludge treatment equipment	带式脱水机 厢式压滤机 叠螺式脱水机 污泥干化设备 浅层高效气浮设备 Belt filter press Box filter press Screw press Mud scraper Dissolved air flotation clarifier
	智能化系列 Intelligent series	智能设备 水务设备健康管理 水务系统工艺优化智联管理 Intelligent equipment Health management for water equipment Intelligent management for water system process
	反应器及套装设备 Reactor and package equipment	芬顿反应系统 MBR生物膜反应器 预制泵站 一体化污水处理设备 Fenton reaction system MBR biofilm reactor Prefabricated pumping station Intelligent Compact Unit
	耗材药剂及相关设备 Consumables, reagents and related equipment	生物绳 PAC 聚合氯化铝 PAM 聚丙烯酰胺 泡药设备 Biological rope PAC polyaluminum chloride PAM polyacrylamide Automatic dispensing dissolvers

GSD 的经营理念 Business Philosophy

G-Green 绿色 S-Safe 安全 D-Development 永续经营



川源(中国)机械有限公司
GSD (China) Co., Ltd.

水处理系统专业合作伙伴

Professional partners in water treatment systems

免费咨询电话

400-657-9066

川源(中国)机械有限公司版权所有 all rights reserved. CY-64-Z

数据来源: 公司实验室数据及客户实际使用数据, 具体使用环境不同, 数据可能存在差异。本型录内容如有变更, 恕不另行通知。

The data on the brochure is based on the laboratory testing data and customers' actual operation data in the past. The actual data may be different in different application conditions. We reserve the right to change content without notice.

